

M 190 Multi-jet meter

Dry-dial meter for warm water

- Nominal size Q_3 2.5 to 25 m³/h
- EU-type examination certificate up to R80
- Hard bearings on impeller and magnet drive
- Register resistant against ultraviolet light
- Prepared for retrofit pulse unit
- conText®-marking system

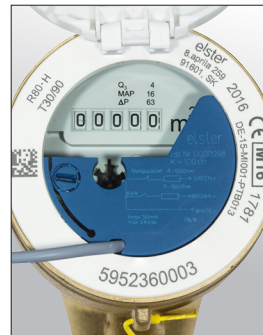
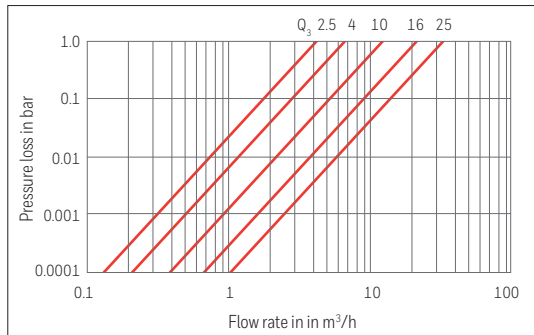


EU-type examination certificate
DE-15-MI001-PTB013

Performance characteristics

Nominal size	DN	mm inches	15	20	25	25	32	40	50
			½	¾	1	1	1¼	1½	2
Continuous flow	Q_3	m ³ /h	2.5	2.5	4	6.3	10	16	25
Overload flowrate	Q_4	m ³ /h	3.125	3.125	5	7.875	12.5	20	31.25
Transitional flowrate	Q_2	l/h	50	50	80	126	200	320	500
Minimum flowrate	Q_1	l/h	31.25	31.25	50	78.75	125	200	312.5
Measuring range	Q_3/Q_1		R80						
Temperature class		°C	T30/90						
Maximum working pressure	MAP	bar	16						
Flow capacity at 1 bar pressure loss		m ³ /h	4.1	6.8	8.5	13.1	21.6	32.8	
Pressure loss class	Δp	bar	0.63						
Flow profile sensitivity class			U0, D0						
Installation position			horizontal						
Installation location			open / closed						
Climatic environment			5 °C to 70 °C, condensing / non-condensing						
Mechanical environment			M1						
Electromagnetic environment			E1						

M 190 Multi-jet meter Technical Data



Reed Disc with tamper detection	
Type	Reedswitch potted, protection IP 68
Contact load	max. 24 V DC, 50 mA
Resistance	100 Ohm
Cable	3 x 0,14 mm ² Ø 3.3 mm
Pulse contact	brown - white
Tamper contact	green - white
Cable length	3 m

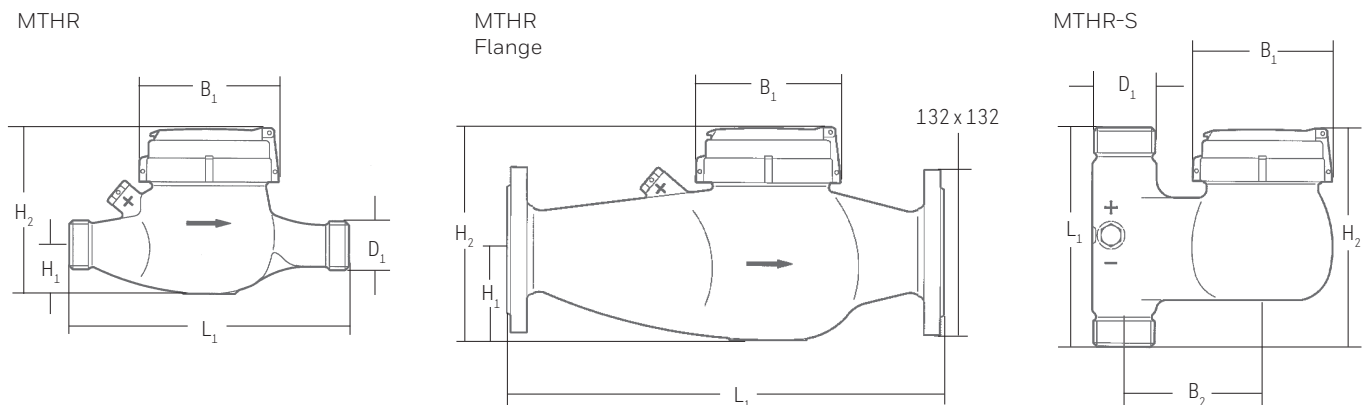
Register pre-equipped for Reed Disc
Pulse weight: 100 l (1000 l on request)

Register with mounted Reed Disc

Dimensions

	DN	mm	MTHR				MTHR-S			
			20	25	40	50	20	25	40	
Nominal size			20	25	40	50	20	25	40	
D ₁ Meter connection thread	ISO 228/1	inches	G 1 B	G 1 ¼ B	G 2 B	G 2 ½ B	Flange	G 1 B	G 1 ¼ B	G 2 B
Connection pipe thread	ISO 7/1	inches	R ¾	R 1	R 1 ½	R 2	—	R ¾	R 1	R 1 ½
L ₁ Length (other on request)		mm	190	260	300	270	105	150	200	
B ₁ Width		mm	100							
Overall width		mm	100	100	122	125	165	100	100	119
B ₂ Distance pipe axis to meter axis		mm	—	—	—	—	—	80	94	120
H ₁ Centerline height		mm	31	43	46	68	—	—	—	
H ₂ Overall height		mm	115	130	153	160	135	151	195	
Weight		kg	1.5	2.5	3.7	4.5	8.5	1.8	2.6	5.5

Dimensional drawing



For further information visit:
www.elstermetering.com

Elster Water Metering Limited
130 Camford Way, Sundon Park
Luton, Bedfordshire, LU3 3AN
United Kingdom
T: +44 (0) 1582 846400
F: +44 (0) 1582 564728
water.metering@elster.com

2016 by Elster Water Metering Ltd. All rights reserved. The company's police is one of continuous product improvement and the right is reserved to modify the specifications contained herein without notice.
M190_D_01.05e / 10.16

Honeywell